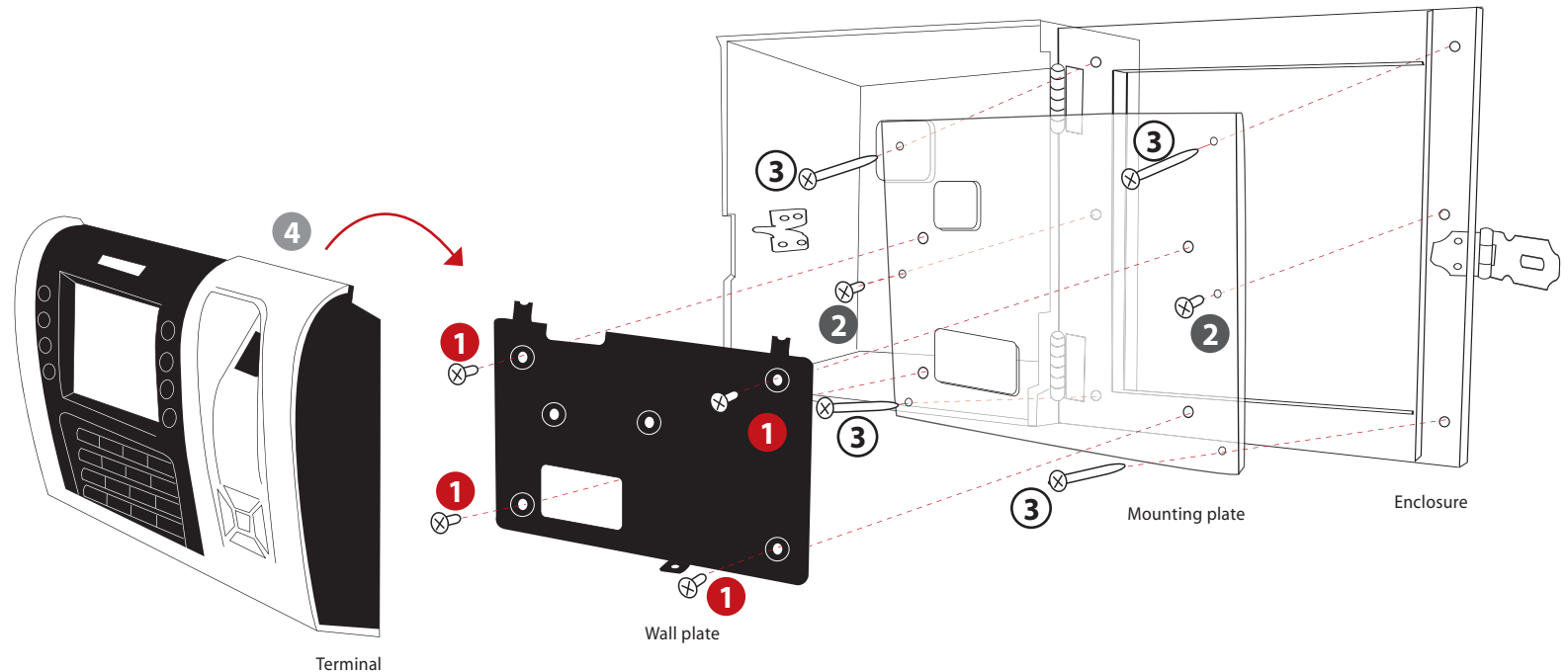


Q2i

ENCLOSURE INSTALLATION DIAGRAM

- 1 Position the wall plate properly on top of the mounting plate; tighten the bolts and nuts to join these two plates together securely.
- 2 Position the mounting plate that has been attached to the wall plate, and the terminal to the enclosure; tighten the screws to secure them on the enclosure.
- 3 Mount the enclosure on a wall or a surface and tighten the screws to secure its position.
- 4 Hang the terminal on the wall plate, tighten the 2 screws at the bottom of the terminal.
- 5 Make sure that the enclosure has been mounted firmly by tightening all the screws.



Note:

INSTALLATION OF ENCLOSURE WITH ACCESS CONTROL MODELS

Before you start with step no. 1 above, make sure that all the terminal's wires are put through the enclosure, back plate and wall plate, and all the wires are connected to the terminal's port correctly.
The package does not include the screws needed to secure the enclosure to a wall.